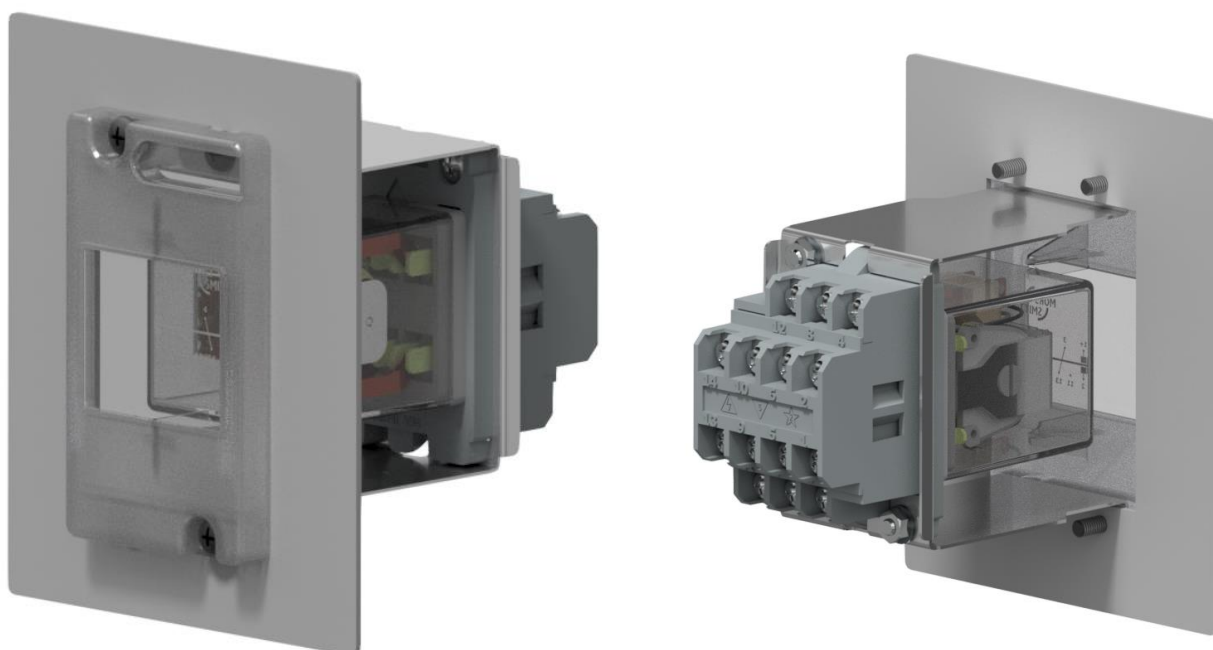


# V34 Socket – Surface / Panel Mount

Rear screw connection socket to suit a range of Mors Smitt plug in relay types using the D series housing.

- > Rear connection
- > M4 screw terminals suitable for ring lugs
- > 2x 2.5 sq. mm ring lugs per terminal
- > Suits 14 terminal plug in relays
- > Optional panel mount adaptor kits



## 14 Terminal Relay Panel Mounting

Panel mounting kits are available for both short and long relay versions. Figure 1 depicts a 14 terminal “short” relay panel mounted using a V34-1 panel mount adaptor kit.



Figure: 1: 14 terminal relay kit shown assembled onto a panel

## 14 Terminal Relay Mounting Components

Figure 2 is an exploded view of the 14 terminal “Long” relay panel mounted using a V34-2 panel mount adaptor kit.

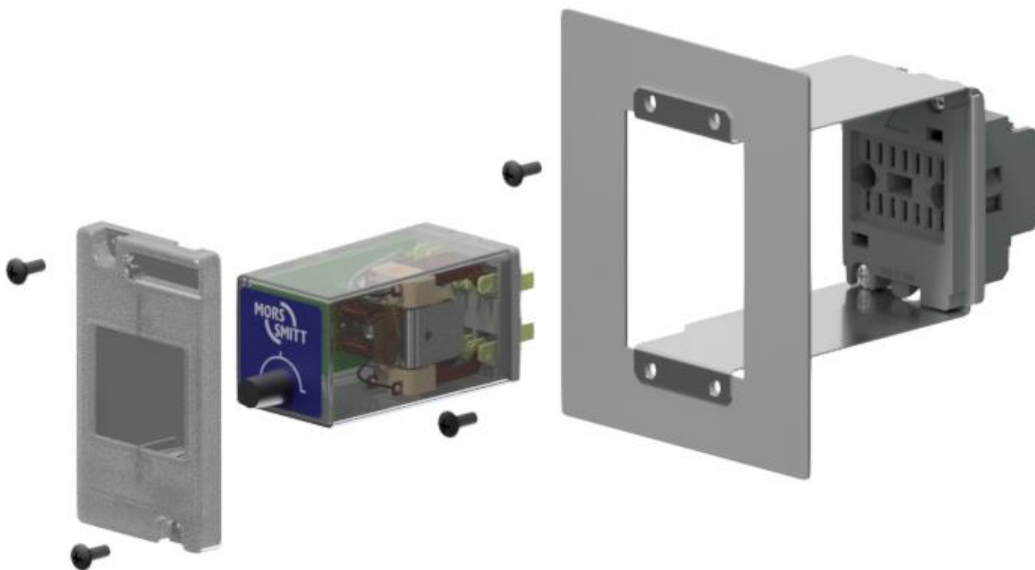


Figure: 2: Exploded view of the 14 terminal relay panel mount kit components




# Socket Selection

## Selection Table

Table 1 provides a quick selection guide to determine the suitable socket or panel mount kit required to mount and connect specific relay types.

## Component Supply

Socket Only: Socket, mounting screws.  
 Panel Mount Kit: Socket, mounting screws, panel mount accessories.

Relay Type	Image	Function	Terminals	Socket Only	Panel Mount Kit
D DI BD DR		Voltage operated auxiliary relay Current operated auxiliary relay Voltage operated magnetic latch bistable relay Voltage operated high speed relay	14	V34	V34-1
TDB4 TDE4		Time delay on relay Time delay off relay	14	V34	V34-2
UMD MTDV4 ACD		Voltage monitoring relay Voltage monitoring relay Battery monitoring relay	14	V34	V34-2

# Panel Mounting Dimensions

## Front and Rear View

The following images indicate the panel mount size and cut-out detail.  
All dimensions in mm.

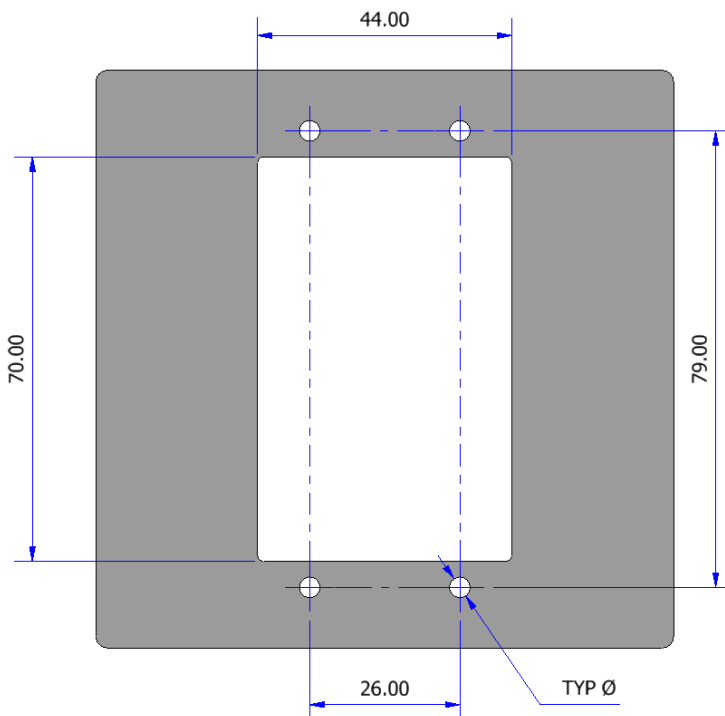
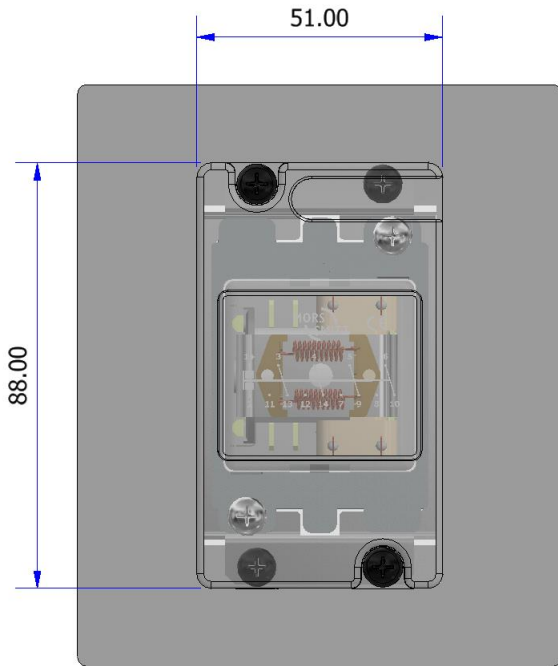


TABLE 1 - HOLE DIA	
PANEL THICKNESS (T)	HOLE DIA (Ø)
1mm < T < 2mm	3.6mm
T > 2mm	3.7mm

## Side View

All dimensions in mm.

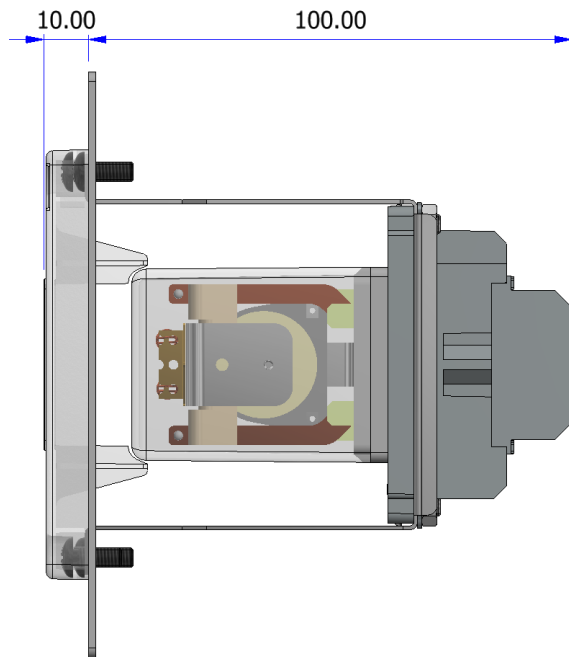


Figure: 5: Side dimension – “Short” relay

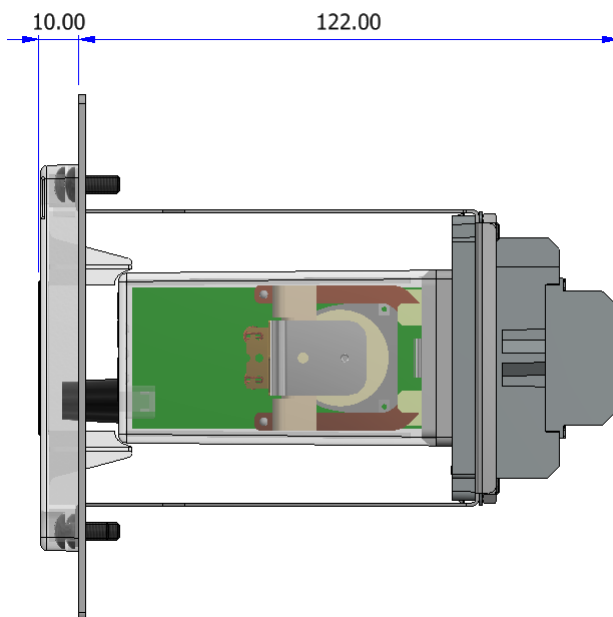


Figure: 6: Side dimension – “Long” relay

## Rear Connect Surface Mounting

The following images depict the cut-out details to allow surface mounting of 14-terminal sockets. “Short” or “Long” relays may be mounting in this configuration.

All dimensions in mm.

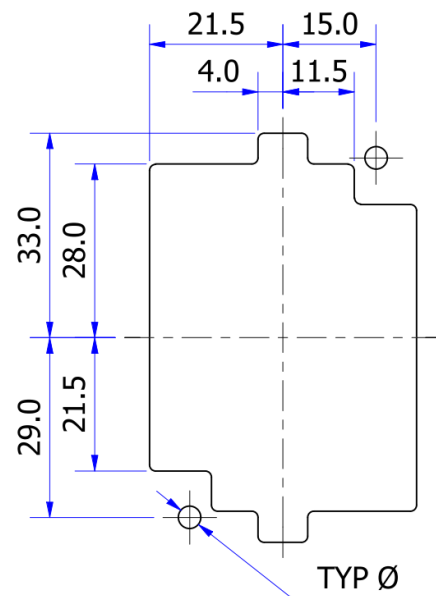
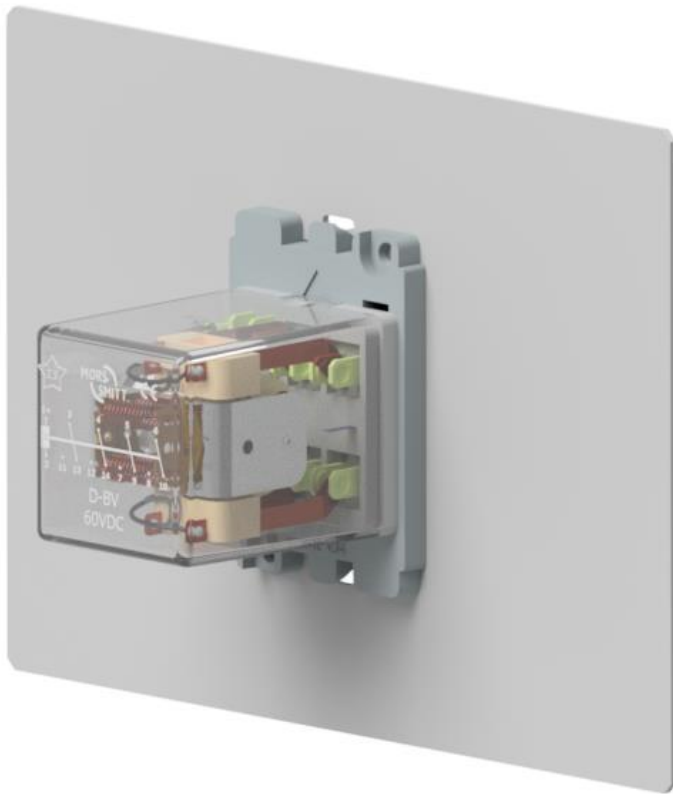


TABLE 1 - HOLE DIA	
PANEL THICKNESS (T)	HOLE DIA (Ø)
1mm < T < 2mm	3.6mm
T > 2mm	3.7mm

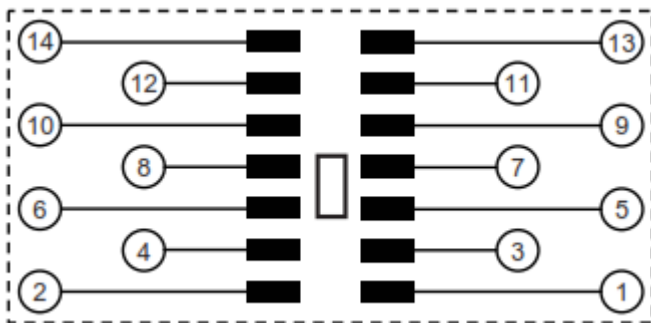
## General

The following standards compliance data is applicable to the V34 mounting system. The specific standards compliance for each relay element is available in from the Technical Bulletin for each device.

## Insulation

Standard	IEC 60255-5
Type	Level
Any Terminal and Earth	2.0kV ac rms for 1min 5.0kV 1.2/50us 0.5J
Between Independent Circuits	2.0kV ac rms for 1min 5.0kV 1.2/50us 0.5J
Across Normally Open Contacts	1.0kV ac rms for 1min

## Terminals Top View



## Tri-furcated Female Receiver



## Temperature

Standard	IEC 60068-2-1/2
Operating Range	-10 to +55 degrees Celsius
Storage Range	-25 to +70 degrees Celsius

## Humidity

Standard	IEC 680068-2-78
Operating Range	40 degrees Celsius and 93% RH non-condensing

## Vibration - Sinusoidal

Standard	IEC 60255-21-1 Class I	
Vibration Response	0.5gn	≤5%
Vibration Endurance	1.0gn	≤5%

## Shock and Bump

Standard	IEC 60255-21-2 Class I	
Shock Response	5gn, 11ms	≤5%
Shock Withstand	15gn, 11ms	≤5%
Bump Test	10gn, 16ms	≤5%

## Seismic

Standard	IEC 60255-21-3 Class I	
Seismic Response	1gn	≤5%

## Relay Installation

Before installation or working on the relay: disconnect the power supply first!

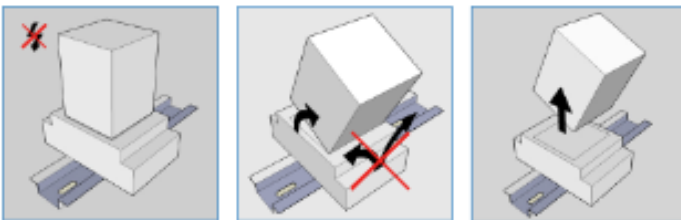
Install socket and connect wiring according to the terminal identification. Plug relay into the socket ensuring there is no gap between the bottom of relay and the socket. Reverse installation into the socket is not possible due to the mechanical blocking snap-lock feature.

No external retaining clip needed as the 'snap-lock' will hold the relay into the socket under all circumstances and mounting directions (according shock & vibration requirements IEC 61373, Category I, Class B, Body mounted). If regulations require an external retaining clip, this is available as well. For more information see the datasheet of the retaining clips.

When rail mounting is used, always mount the socket in the direction of the UP arrow.

## Warning!

- To remove relays from the socket, employ up and down lever movements. Sideways movement may cause damage to the coil wires.



When plugging the relay into the socket, the female trifurcated receivers will automatically cut through oxidation on the silver-plated pins and guarantee a reliable connection.

## Inspection

If the socket does not work after inspection of the correct wiring and relay connection, replace the unit with a similar model.

When returning products for investigation, please provide all information on the RMA form. Send defective products back to the manufacturer for repair or replacement. Normal wear and tear or external causes are excluded from warranty.



## V34 Order Codes

	V34 - <input type="text"/>	Socket – Surface / Panel Mount – 14 Terminals
Flush Mount Kit	-	Not required
	1	Required - Short relay
	2	Required - Long relay

---

**RMS Mors Smitt**  
19 Southern Court  
Keysborough, VIC 3173, Australia  
Tel: +61 (0)3 8544 1200  
sales.rms@wabtec.com

**Wabtec Netherlands B.V.**  
Darwinstraat 10  
6718 XR Ede, Netherlands  
Tel: +31 (0)88 600 4500  
sales.msbv@wabtec.com



Visit [www.morssmitt.com/rms](http://www.morssmitt.com/rms) for the latest product information.

Due to RMS continuous product improvement policy this information is subject to change without notice