

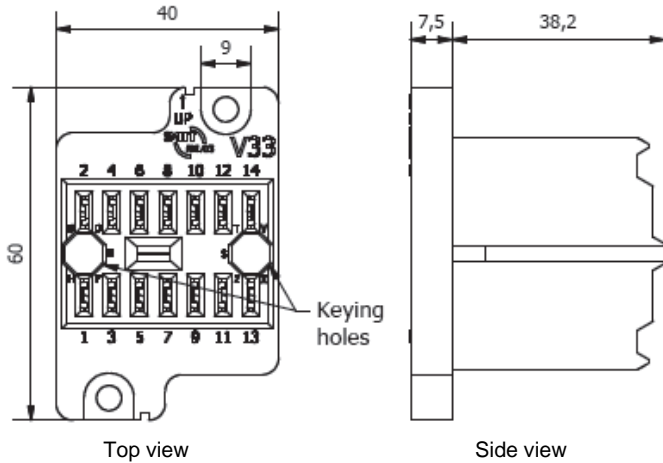
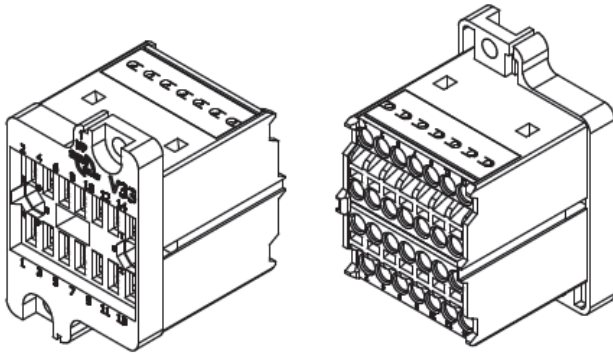
Advantages new V33/V88 compared to old V33/V88:

1. Smaller: depth reduced with 11.8 mm.
2. Push-in terminals instead of tension spring terminals:
No tool needed to insert wire for solid wires and stranded wires with ferrules.
Same method as old V33/V88 also possible: use tool to open terminal.
3. Larger wires possible: from 2.5 mm² (AWG 14) to 3.3 mm² (AWG 12).
4. Improved readability terminal marking.

From old V33 to new V33

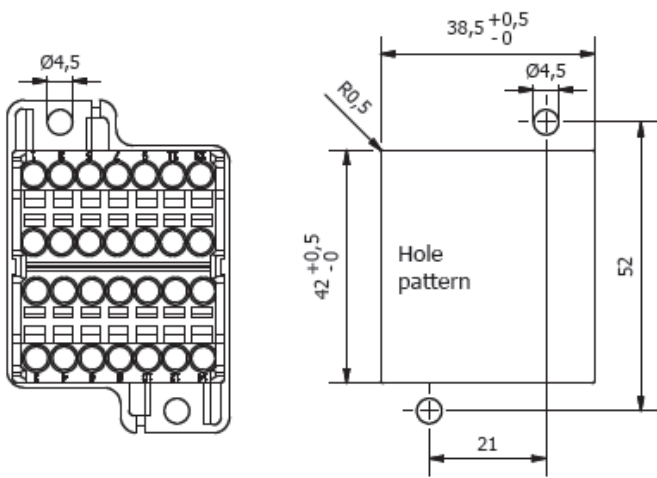
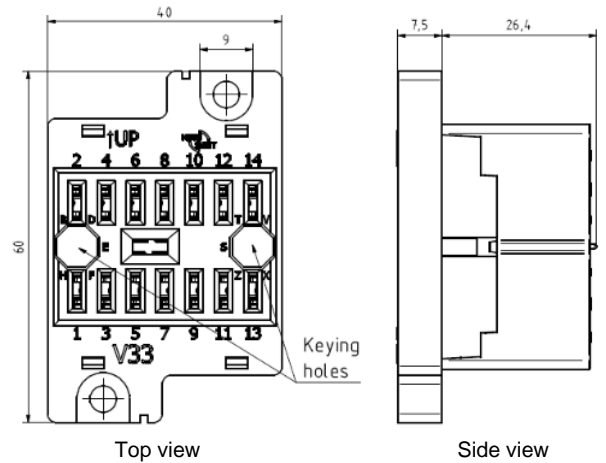
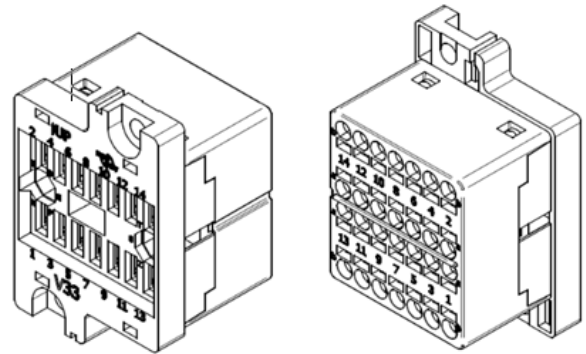
Old

Part number: 338000570

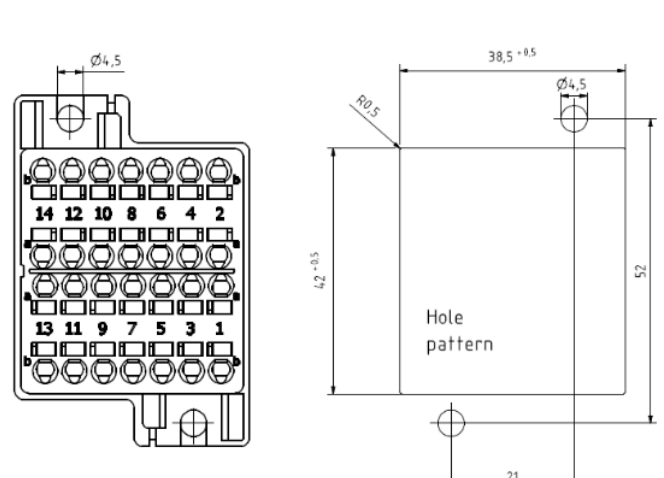


New

Part number: 338000670



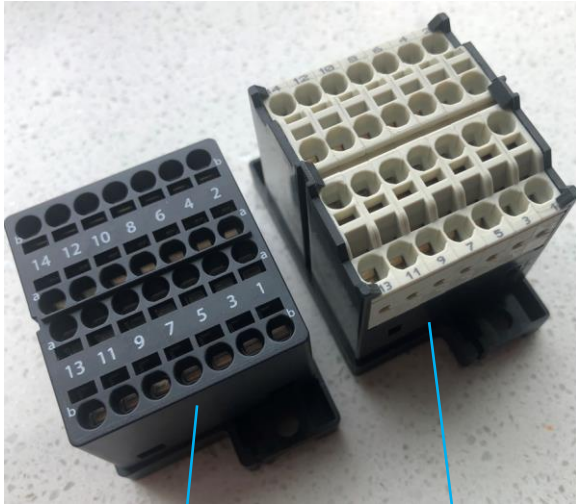
Bottom view



Bottom view

Dimensions in mm, tolerance ± 0,5 mm

From old V33 to new V33 – PICTURES



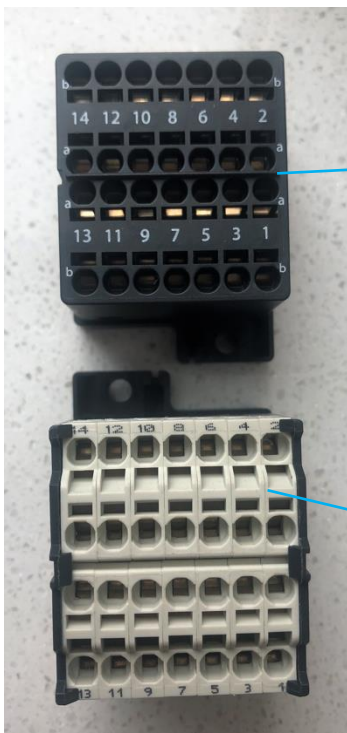
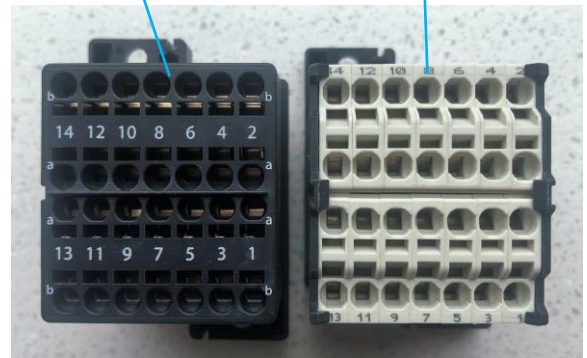
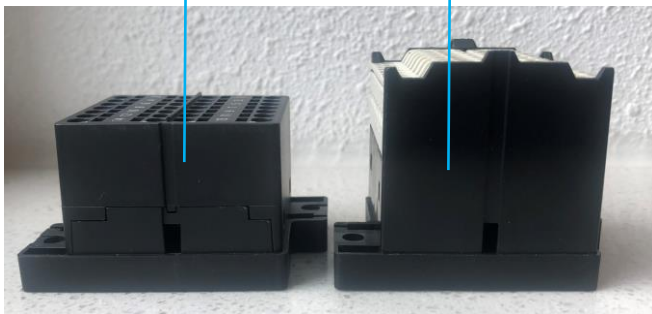
NEW

OLD



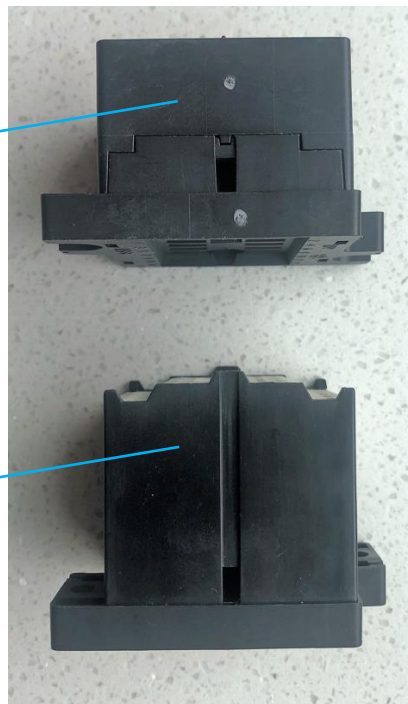
NEW

OLD



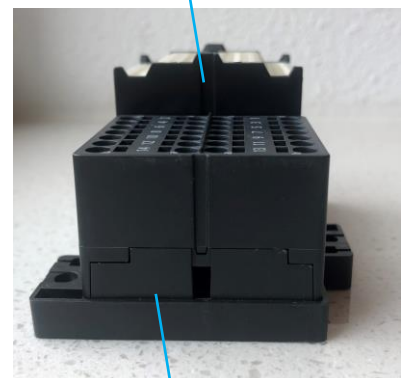
NEW

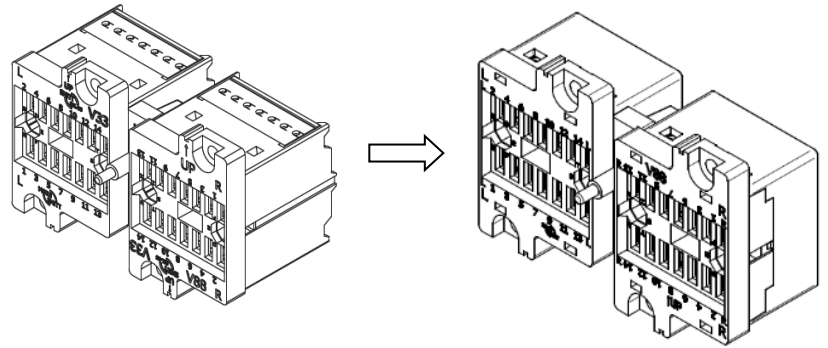
OLD



OLD

NEW

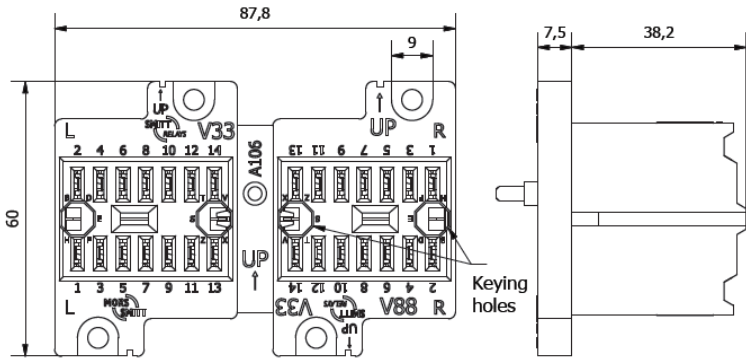




From old V88 to new V88

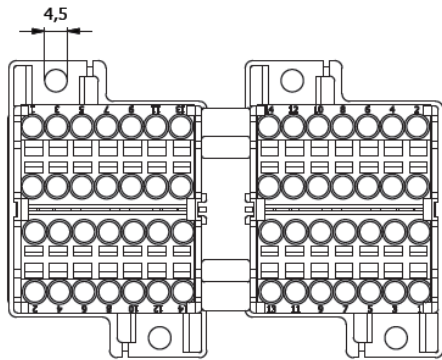
Old

Part number: 338001700

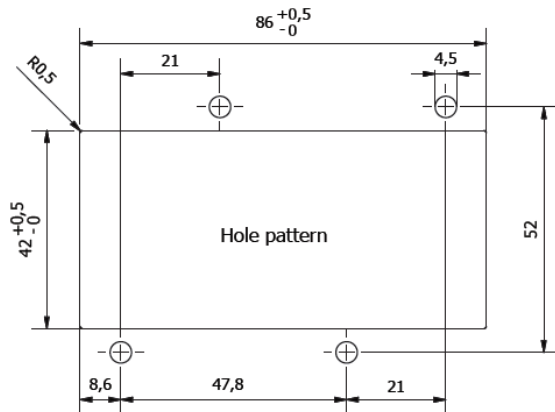


Top view

Side view



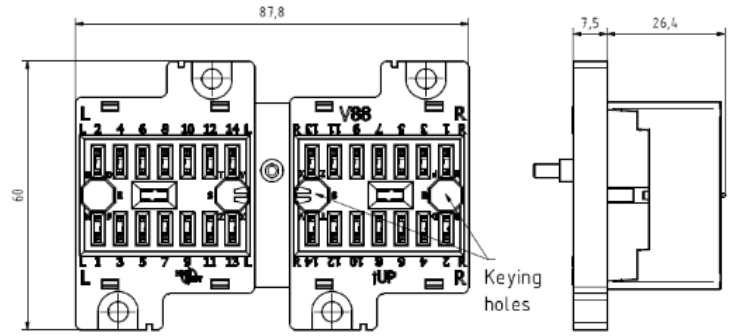
Bottom view



Dimensions in mm, tolerance $\pm 0,5$ mm

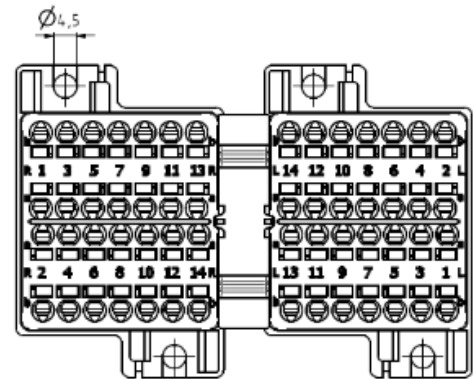
New

Part number: 338001710



Top view

Side view



Bottom view

