

XM-17M-IA20U relay - 1-phase 20 A current monitoring, 1 C/O, 8 A

Datasheet



Description

The XM-17M-IA20U is a current monitoring relay. It serves to monitor the current level in 1-phase AC circuits.

The output relay is off in normal state. In case the set current level is exceeded the relay switches.

Application

Modular monitoring AC current relay for 1-phase circuits. Due to its fluent adjustment of release current, it is suitable for applications with the necessity of current flow indication and can be used as precedence relay.

Features

- AC current monitoring relay 20 A
- Current adjustment by potentiometer
- Supply galvanic separated from measuring current
- Inbuilt diode for suppressing peaks
- 1 C/O contact 8 A / AC 1
- 35 mm rail mounting
- Output status by LED indicator
- Universal supply voltage
- Modular housing, 1 module

Benefits

- Rated current 8 A / AC1
- Long term availability
- 17.6 mm wide
- No maintenance

Industry compliancy

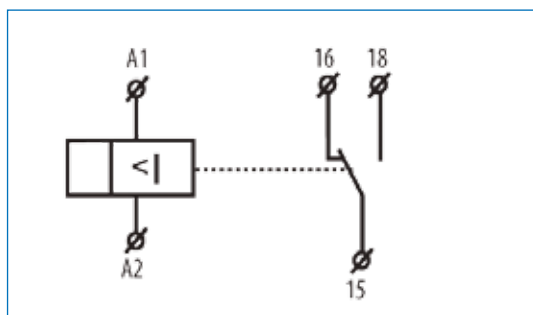
All our relays and accessories are designed according to regulations:

- EN 60255-6
- EN 61010-1
- CE

XM-17M-IA20U relay

Technical specifications

Connection diagram



Measuring circuit

Current range	1...20 AAC 50 Hz
Inrush overload	Max. 100 A < 10 s
Current adjustment	Potentiometer

Output

Number of contacts	1x change-over contact / SPDT (AgNi/silver alloy)
Rated current	8 A / AC1
Breaking capacity	2500 VA / AC1, 240 W / DC
Inrush current	10 A / < 3 s
Switching voltage	250 V AC1 / 24 VDC
Output indication	Red LED
Mechanical life	30 x 10 ⁶ operations
Electrical life (AC1)	7 x 10 ⁴ operations

Accuracy

Setting accuracy	5 %
Repeat accuracy	< 1 %
Temperature dependance	< 0.1 % / °C
Limit values tolerance	5 %

Supply and measuring

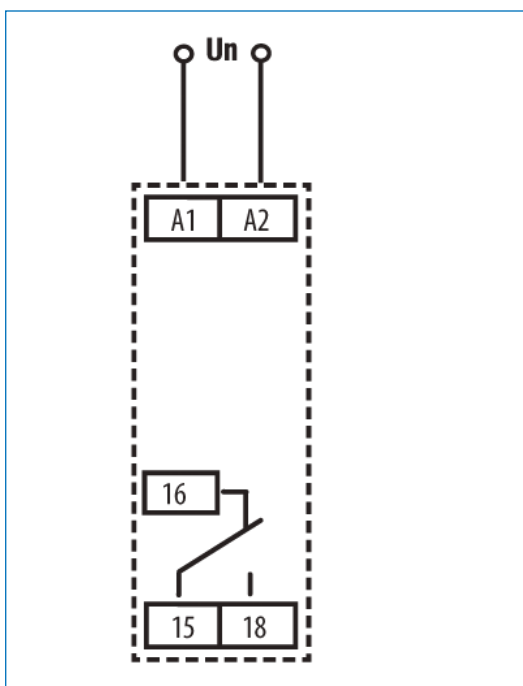
Supply terminals	A1 - A2
Supply / measuring voltage	24...240 VAC 50/60 Hz, 24 VDC
Burden	Max. 1.5 VA
Operating range	0.85...1.1 Un
Current range	1...20 AAC 50 Hz



XM-17M-IA20U relay

Technical specifications

Connection



Environmental conditions

Operating temperature	-20 °C... +55 °C
Storage temperature	-30 °C... +70 °C
Electrical strength	4 kV (supply - output)
Operating position	Any
Mounting	35 mm rail EN 60715
Protection degree	IP40 front panel / IP10 terminals
Overtoltage category	III
Pollution degree	2
Max. cable size	Solid wire max. 2 x 2.5 mm ² or 1 x 4 mm ² / with sleeve max. 1 x 2.5 mm ² or 2 x 1.5 mm ²

Mechanical data

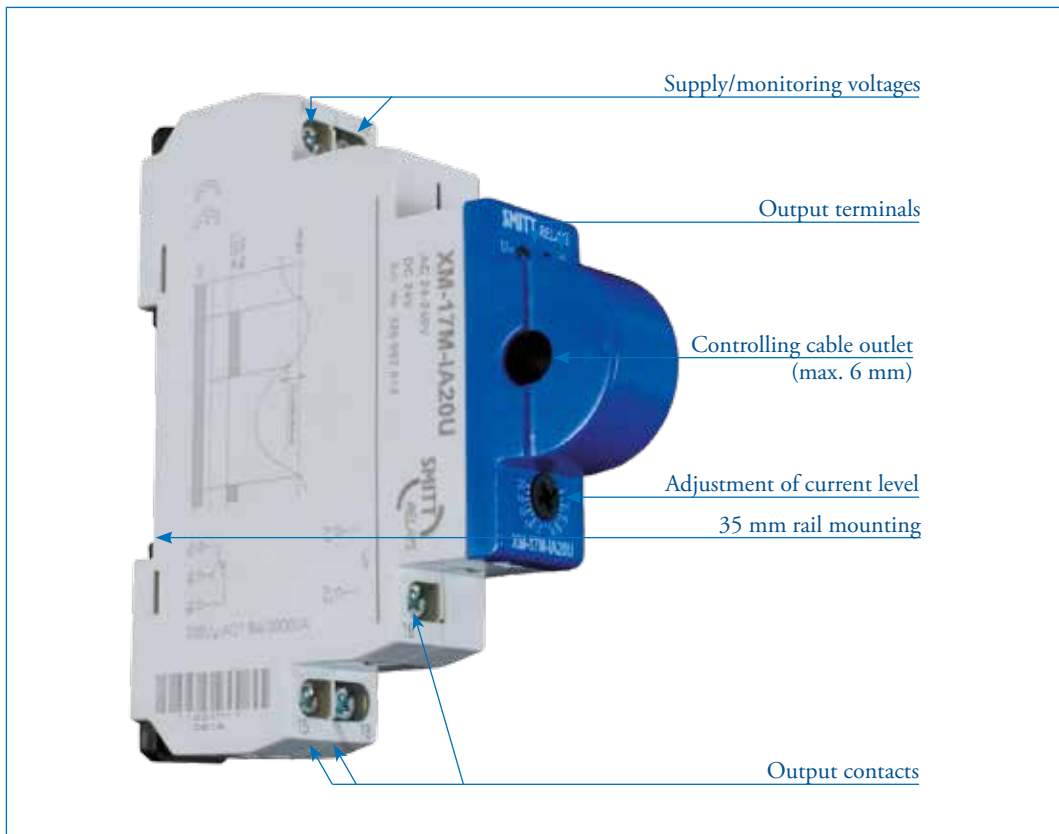
Dimensions (d x w x h)	90 x 17.6 x 64 mm
Weight	68 g
Standard	EN 60255-6, EN 61010-1



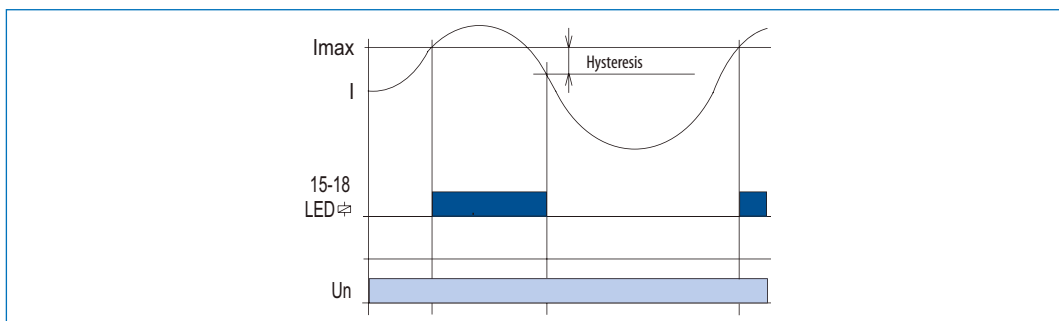
XM-17M-IA20U relay

Technical specifications

Design



Functions



XM-17M-IA20U relay

Ordering codes

Art. no.	Type	Function	Contacts	Voltage range
326002012	XM-17M-IA20U	AC 1-phase current monitoring	1 C/O	24-230 VAC 50/60 Hz / 24 VDC
326001027	XM-17M-IA25U	AC 1-phase current monitoring	1 C/O	230 VAC 50/60 Hz
326002003	XM-17M-M400L	AC 3-phase voltage monitoring	1 C/O	3x 400 VAC 50 Hz
326002004	XM-17M-M400LN	AC 3-phase + N voltage monitoring	1 C/O	3x 400 VAC / 230 VAC 50 Hz
326002000	XM-17M-VA230	AC 1-phase voltage monitoring	1 C/O	48-276 VAC 50 Hz
326002002	XM-17M-2XVA230	AC 1-phase voltage monitoring	2x 1 C/O	48-276 VAC 50 Hz
326002011	XM-17M-VA400LN	AC 3-phase + N voltage monitoring	1 C/O	3x 400 VAC / 230 VAC 50 Hz
326002001	XM-17M-VD24	DC 1-phase voltage monitoring	1 C/O	6-30 VDC
326002006	XM-52M-M400L	AC 3-phase complete monitoring	2 C/O	230 VAC / 400 VAC 50/60 Hz
326002007	XM-52M-M400LN	AC 3-phase + N voltage monitoring	2 C/O	230 VAC / 400 VAC 50/60 Hz
326002005	XM-52M-VA500	AC/DC 1-phase voltage monitoring	2 C/O	10-500 VAC/DC 50 Hz





www.morssmitt.com



Mors Smitt France SAS

Tour Rosny 2, Avenue du Général de Gaulle,
F - 93118 Rosny-sous-Bois Cedex, FRANCE
T +33 (0)1 4812 1440, F +33 (0)1 4855 9001
E sales@msrelais.com

Mors Smitt Asia Ltd.

807, Billion Trade Centre, 31 Hung To Road
Kwun Tong, Kowloon, HONG KONG SAR
T +852 2343 5555, F +852 2343 6555
E info@morssmitt.hk

Mors Smitt B.V.

Vrieslantlaan 6, 3526 AA Utrecht,
NETHERLANDS
T +31 (0)30 288 1311, F +31 (0)30 289 8816
E sales.msbv@wabtec.com

Mors Smitt Technologies Inc.

1010 Johnson Drive,
Buffalo Grove, IL 60089-6918, USA
T +1 847 777 6497, F +1 847 520 2222
E salesmst@wabtec.com

Mors Smitt UK Ltd.

Doulton Road, Cradley Heath
West Midlands, B64 5QB, UK
T +44 (0)1384 567 755, F +44 (0)1384 567 710
E sales.msuk@wabtec.com