

VG-8T socket - Screw terminal, wall/ Datasheet rail mount



Application

The VG-8T is a surface / wall and 35 mm rail mount relay socket. The VG-8T socket has one screw terminal per relay contact suitable for two wires up to 2.5 mm², so looping/daisy chaining can be done on the socket and no external connector or terminal is needed.

The VG-8T relay socket has no internal soldering connections which makes it highly reliable. A multifunction timer or diode module can be placed on the socket and is parallel connected with the relay coil. Refer to page 4 for ordering codes.

Description

The VG-8T relay socket is suitable for general purpose applications. Installation and replacement of relays is made easy and cost saving. No maintenance is required for the user.

Suitable for all G8-relays.

Features

- 35 mm rail mounting
- Screw terminals
- Suitable for G8-relays
- No internal soldering
- Retaining clip connection possible

Benefits

- Proven reliability
- Long term availability
- Easy to maintain
- Low life cycle cost

Industry compliancy

- IEC 60947-5-1 Electromechanical control circuit devices and switching elements
- IEC 61810 Electromechanical elementary relays
- IEC 60664-1 Insulation
- IEC 60529 Protection category
- UL
- CSA
- CE

VG-8T socket

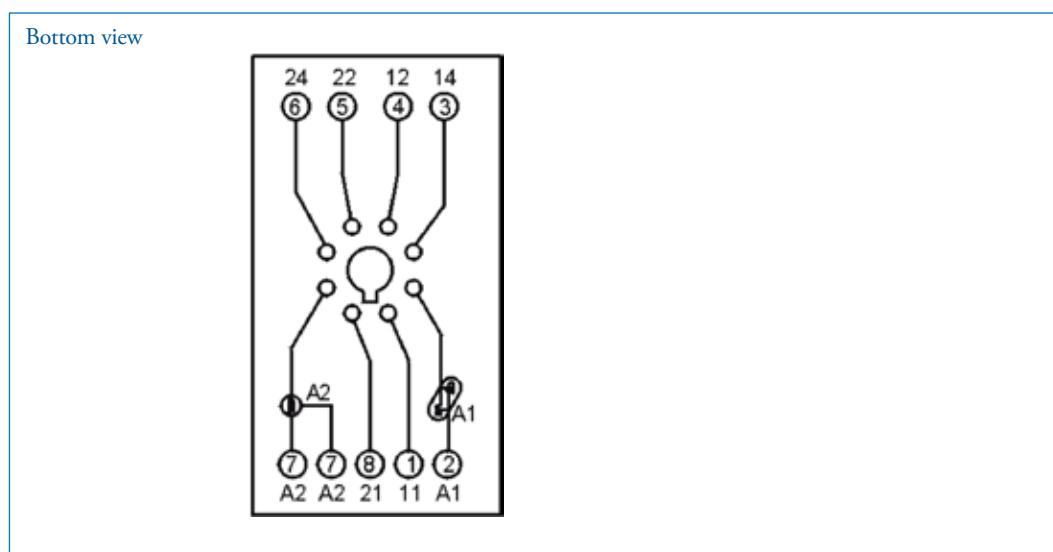
Technical specifications



Technical characteristics

Contact rating	12 A
Dielectric strength	IEC 60664-1, 250 V, 50/60 Hz, 1 min
Protecting category	IEC 60529, IP20
Mounting	35 mm rail mount
Ambient temperature	-25 °C...+85 °C
Weight	52 g
Dimensions	75 x 38 x 26 mm
Wire size	2 x 2.5 mm ²
Wire stripping length	6.5 mm
Material	Polyester
Socket contacts	Screw terminal
Accessories	Various, see pages 4 & 5

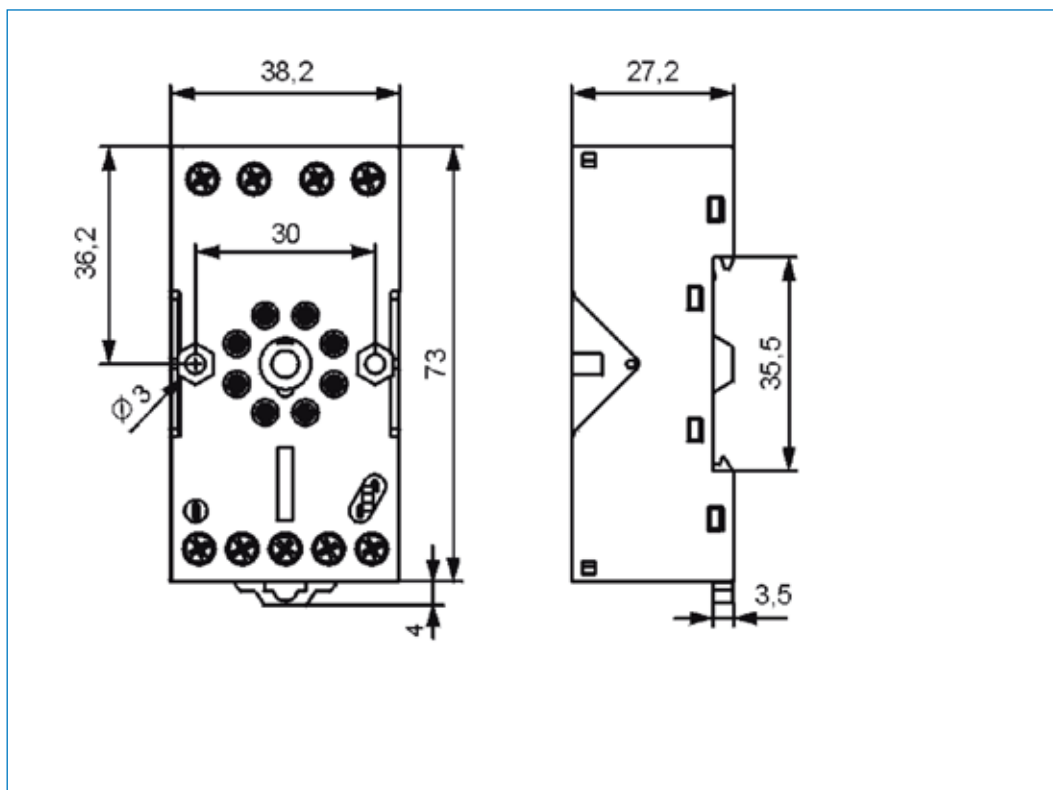
Connection diagram



VG-8T socket

Technical specifications

Dimensions



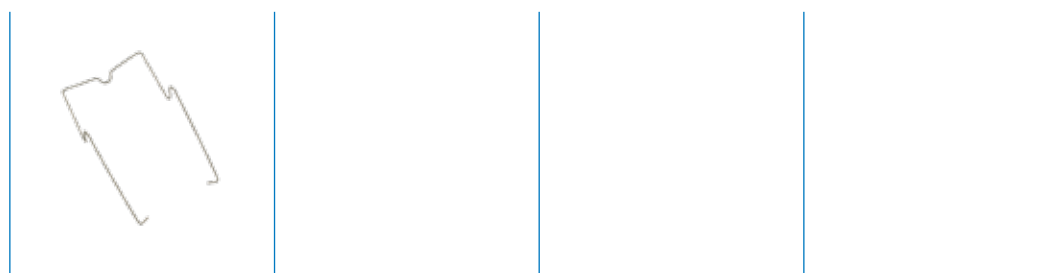
VG-8T socket

Ordering codes

Ordering codes

Art. no.	Type	Description
321000206	VG-8T	VG-8T socket for G8-relays

Socket accessories



CG-1

Art. no.	Type	Description	Weight
321000203	CG-1	Relay retaining clip, metal	0.8 g



VG-8T socket Modules



T-21



Com-3TP

Art.no.	Type	Voltage	Weight
321000208	Diode module with damping diode	6...230 VDC	6.5 g
321000205	Multifunction timer module 8 time ranges (0.05 s... 240 h) 8 different functions Function and time setting by dip-switch for fine tuning. 8 different functions F Delay - ON R Delay - OFF (+ control contact) Ws One shot - ON (+ control contact) Wa One shot - OFF (+ control contact) Wu One shot - ON Es Delay - ON (+ control contact) Bp Flasher, starting OFF Bi Flasher, starting ON	24...230 VDC	14 g





Mors Smitt France SAS

Tour Rosny 2, Avenue du Général de Gaulle,
F - 93118 Rosny-sous-Bois Cedex, FRANCE
T +33 (0)1 4812 1440, F +33 (0)1 4855 9001
E sales.msf@wabtec.com

Mors Smitt Asia Ltd.

29/F., Fun Towers, 35 Hung To Road
Kwun Tong, Kowloon, HONG KONG SAR
T +852 2343 5555, F +852 2343 6555
E sales.msa@wabtec.com

Mors Smitt B.V.

Vrieslantlaan 6, 3526 AA Utrecht,
NETHERLANDS
T +31 (0)30 288 1311, F +31 (0)30 289 8816
E sales.msbv@wabtec.com

Mors Smitt Technologies Inc.

1010 Johnson Drive,
Buffalo Grove, IL 60089-6918, USA
T +1 847 777 6497, F +1 847 520 2222
E salesmst@wabtec.com

Mors Smitt UK Ltd.

Graycar Business Park, Barton under Needwood,
Burton on Trent, Staffordshire, DE13 8EN, UK
T +44 (0)1283 722 650 F +44 (0)1283 722 651
E sales.msuk@wabtec.com