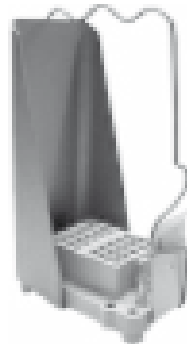


COR NK / COR PA / COR SA socket

Datasheet



COR NK



COR PA



COR SA

Description

The COR NK socket has single faston. 5 mm faston terminals are required for proper connection. The COR PA is equipped with a guided plate in supplement of COR NK.

The COR NK and PA sockets are equipped with a wire locking spring. Prior to packing each socket is uniquely keyed in the factory.

The COR NK and PA sockets are suitable for all 300 relays.
The COR SA socket is suitable for 303S relay.

Application

The COR NK, PA and SA sockets are designed for panel mount of relays with single faston rear connection.

Features

- Rear connection, with single faston 5 mm
- No internal soldering / connections
- For panel mount
- Spring lock
- COR NK, COR PA, suitable for all 300 relays (303, 310 relays)
- -40 °C...+80 °C operating temperature

Benefits

- Proven reliable
- Long life cycle
- Easy to maintain and replace
- Low life cycle cost
- No maintenance

Railway compliancy

- NF F 16-101/102 Fire behaviour - Railway rolling stock

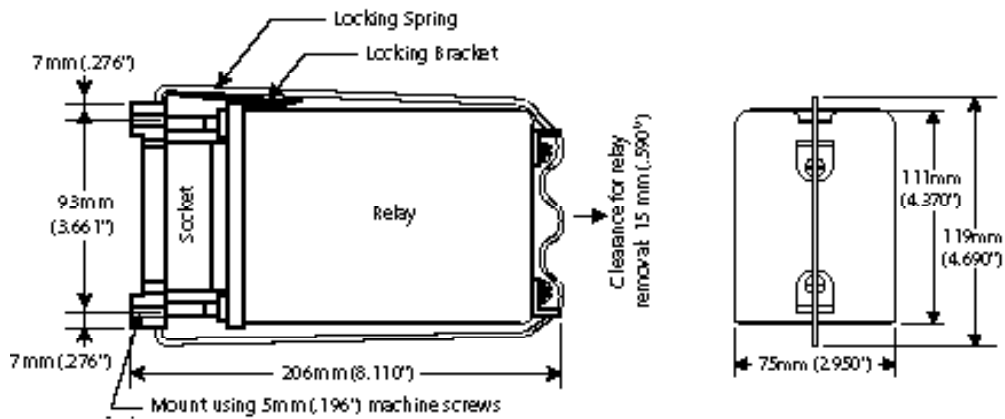


COR NK / COR PA / COR SA socket

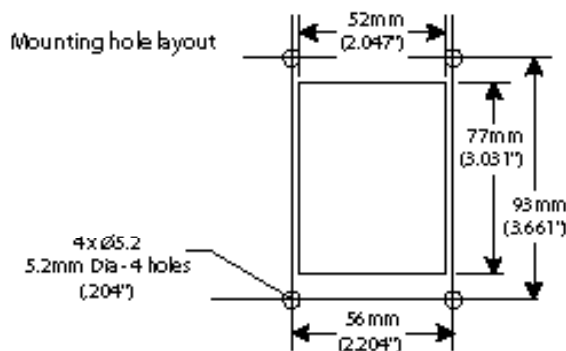
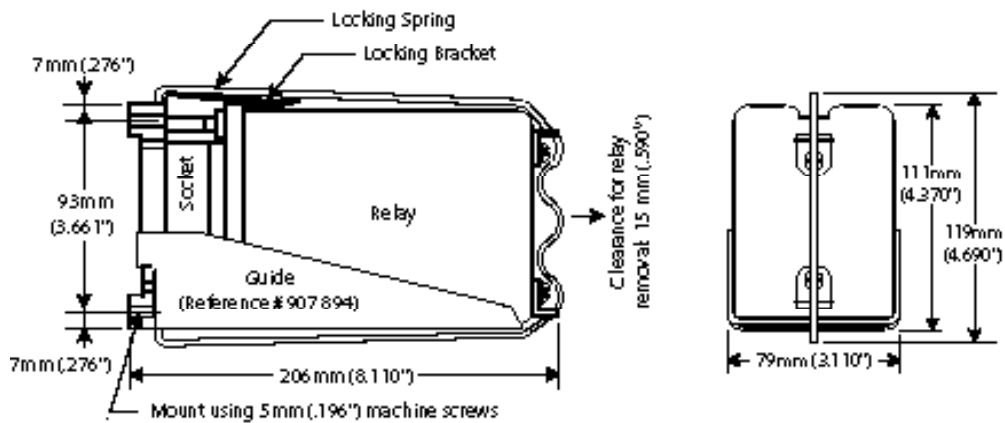
Technical specifications

Dimensions (mm)

Relay shown with Socket assembly no. 15913 TYPE COR NK 58D (p160 967 TYPE COR SA).
Included is socket with locking bracket and locking spring.



Relay shown with Socket assembly no. 907983 TYPE COR PA 58D.
Included is socket with guide plate, locking bracket and locking spring. The guide plate aligns the relay with the socket for easy plugging in when the socket is not readily accessible.



Important note: Each relay and socket is uniquely keyed to prevent accidental insertion of the wrong relay into a socket. This safety feature assures that only the relay specified for the circuit will be accepted by the socket. The keying system employs 2, 3 or 4 pins positioned correspondingly in the relay base and the socket to assure that only the correct relay and socket will mate.



COR NK / COR PA / COR SA socket

Technical specifications

Keying explanation

Each 300 relay is tested and individually packed in a sealed bag. Prior to packing, each relay is uniquely keyed by the factory. A test report for each lot of relays is provided with shipment.

Each COR NK, COR PA and COR SA socket with spring lock assembled is packed in a box. Prior to packing, each socket is uniquely keyed by the factory.

The socket includes 4 holes M5 threaded mounting bolts. Mounting hardware is not supplied. The recommended installation torque is 1.7 Nm (1.25ft-lbs).

Sockets with locking spring:

153913 TYPE COR NK 58D

(Polyester Melamine)

(Indicate keying code from relay table)

Indicates socket without guide.



907983 TYPE COR PA 58D

(Polyester Melamine)

(Indicate keying code from relay table)

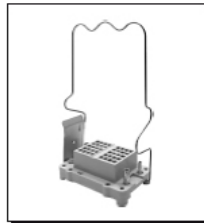
Indicates socket with guide.



160967 TYPE COR SA

(Polyester Melamine)

Indicates socket without guide.



(Select one from above and specify)

To use with
standard
303 Relays

To use with
Relay 303S



COR NK / COR PA / COR SA socket

Technical specifications

Mechanical characteristics

Weight	370 g
--------	-------



COR NK / COR PA / COR SA socket

Ordering scheme

COR

1. Socket model

NK

2. Socket type

XX

3. Keying

This example represents a **COR NK socket**

Description: COR NK socket for a 303 relay with keying code XX.

1. Relay model

COR

2. Socket type

NK	For standard 303 - 310 relays
PA	For 303 - 310 relays with guiding plate
SA	For 303S relays





www.morssmitt.com



Mors Smitt France SAS

Tour Rosny 2, Avenue du Général de Gaulle,
F - 93118 Rosny-sous-Bois Cedex, FRANCE
T +33 (0)1 4812 1440, F +33 (0)1 4855 9001
E sales@msrelais.com

Mors Smitt Asia Ltd.

807, Billion Trade Centre, 31 Hung To Road
Kwun Tong, Kowloon, HONG KONG SAR
T +852 2343 5555, F +852 2343 6555
E info@morssmitt.hk

Mors Smitt B.V.

Vrieslantlaan 6, 3526 AA Utrecht,
NETHERLANDS
T +31 (0)30 288 1311, F +31 (0)30 289 8816
E sales@nieaf-smitt.nl

Mors Smitt Technologies Inc.

420 Sackett Point Road
North Haven, CT 06473, USA
T +1 (203) 287 8858, F +1 (888) 287 8852
E mstechnologies@msrelais.com

Mors Smitt UK Ltd.

Doulton Road, Cradley Heath
West Midlands, B64 5QB, UK
T +44 (0)1384 567 755, F +44 (0)1384 567 710
E info@morssmitt.co.uk