

Features

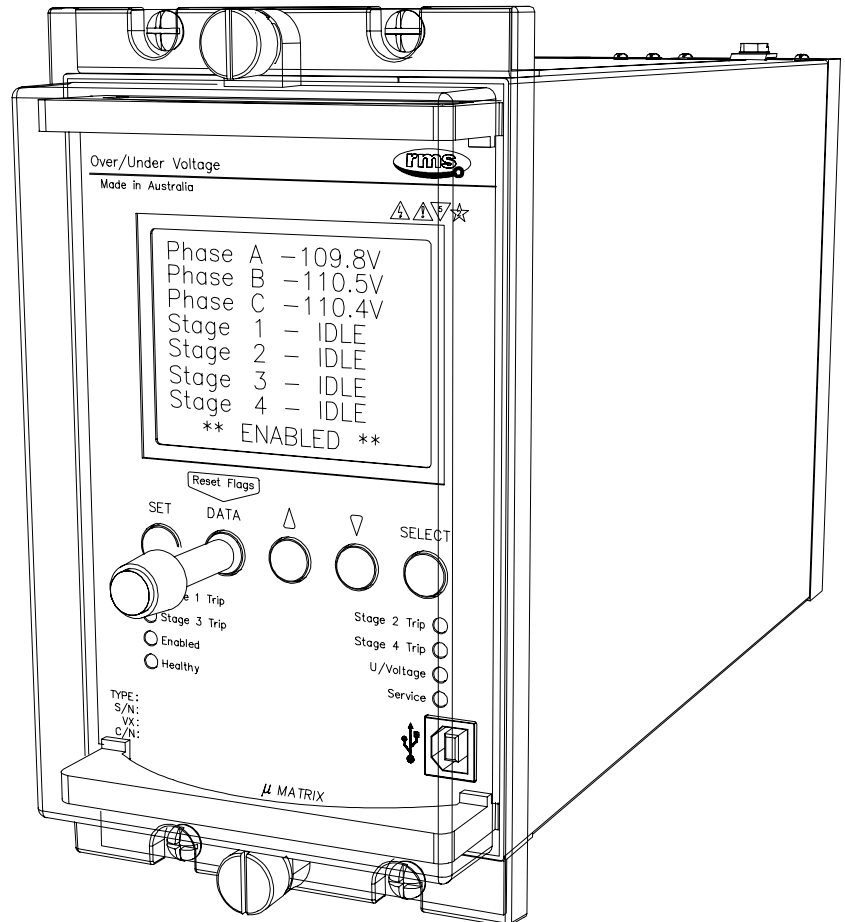
- Large graphics display panel
- Instantaneous voltage display
- 20 to 130V PU setting range
- 0.1V setting resolution
- Adjustable pick up & drop out
- Adjustable reset time delay
- 63.5/110V AC nominal inputs
- Four independent voltage stages & output trip contacts
- Independent definite time delay per voltage stage
- Timing & trip indication LED's
- Relay enable input
- CPU watchdog
- Undervoltage blocking function
- Wide auxiliary supply range with fail alarm contact
- Size 4M56-S draw out case
- Made in Australia

COMMUNICATION

- USB front programming port
- Non platform specific PC programming software: uMATRIXwin
- Optically isolated network communication ports
- MODBUS RTU compatible network protocol

Applications

- UNDERVOLTAGE LOAD SHEDDING
- MOTOR UNDERVOLTAGE PROTECTION
- COGENERATION SCHEMES
- AUTOMATIC TRANSFER SCHEMES
- TRANSFORMER VOLTAGE SUPERVISION



2V67-S depicted in a 4M56-S draw out case

Description

Made in Australia

The 2V67 Series relay is a three pole voltage monitoring relay with four stages of adjustable voltage pick up & drop out points. Each voltage set point can be set for under or overvoltage operation & has an independent time delay driving an output relay. An undervoltage lockout is used to disable the four voltage outputs when the voltage falls below a preset level. A single status input is used to enable the four voltage sensing stages.

The 2V67 relay is built on the Micro MATRIX digital platform. The standard Micro MATRIX human machine interface (HMI) is combined with fully solid-state voltage sensing & measuring circuitry to provide high accuracy, simple set up & flexible operation. Self-monitoring is carried out by hardware & software watchdogs. A CPU software watchdog records abnormal events & performs automatic periodic checks. High speed, high contact rating output relays are used.

UNDER VOLTAGE LOAD SHEDDING

Under voltage may be caused by system over loading. The 2V67 may be used as an Under Voltage relay to provide load shedding of non-essential loads to aid in the restoration of nominal system voltage. The 2V67 is capable of providing up to four stages of progressive load shedding. Appropriate time delays are employed on load shedding schemes to prevent operation during transient system voltage excursions.

MOTOR UNDER VOLTAGE PROTECTION

Motors that are subjected to prolonged unbalanced supply voltages or single phasing will overheat. Motors that are subjected to balanced under voltages below about 80% may stall and lead to excessive winding currents. In both circumstances winding deterioration or failure may occur unless the motors are disconnected. The Under Voltage elements in the 2V67 may be used to trip out the motor or prevent attempted motor starts during these system voltage conditions. Appropriate time delays are employed to prevent operation during transient system voltage excursions.

If the system supply to a group of motors is lost, under voltage protection may be applied to ensure each of the motor circuit breakers or contactors are tripped so that on restoration of the main supply, it is not overloaded by the simultaneous starting of all the motors.

COGENERATION SCHEMES

At the interface between the utility and the cogenerator, under voltage relays are installed to provide an operating window for the cogenerator. During fault conditions where the generator may form an island and there are generation and load mismatches the associated system voltage may contravene code requirements and also lead to overloading of the generator. The under voltage elements in the 2V67 can be applied to detect these under voltage conditions and disconnect the generator. Appropriate time delays are employed to prevent operation during transient system voltage excursions and avoid unnecessary disconnection of the generator.

At the utility feeder circuit breaker to prevent the circuit breaker closing onto an islanded generator some form of voltage blocking is generally called for. A check for the presence of voltage on the load side of the utility feeder circuit breaker will confirm the presence of a generator island. The 2V67 can be applied to provide voltage blocking.

AUTOMATIC TRANSFER SCHEMES

Automatic transfer schemes can be applied to initiate changeover from a 'normal' to an 'alternate' power supply upon loss of the 'normal' supply. The 2V67 under voltage elements can initiate switching after a given time delay. Appropriate time delays should be employed to prevent operation during transient system voltage excursions.

TRANSFORMER VOLTAGE SUPERVISION

The 2V67 may be used to supervise tap changer control schemes and prevent tap changer run away events that may lead to either over voltage or under voltage conditions. Transformer voltage supervision schemes are usually employed with appropriate time delays to cater for tap changer delays and transient system voltage excursions.

Timing Characteristics

TIMING CHARACTERISTICS

The pick up time due to a step change in voltage level is dependant on the start voltage & the applied over (or under), voltage step & the timer setting. Figure 2 & 3 show the relay operate time at the minimum 0.2s delay setting.

The total relay operate time is the combined Basic Timing Characteristic plus the time delay setting.

RESET TIME DELAY

An independent reset time setting (Treset), is provided for each of the four voltage stages which may be employed to emulate an induction disc reset characteristic. Treset may be adjustable between zero & 5s in 0.1s steps.

For instantaneous reset Treset should be set to zero.

When the voltage pick up & drop out points are set very close together it is advisable to set Treset with a small reset delay to avoid timer resetting due to transient voltage fluctuations.

The difference in timing performance is demonstrated in the following figure 1.

It should be noted that once the relay has timed out & the trip output initiated, the voltage element will reset instantaneously when the voltage pick up is reset irrespective of the Treset setting.

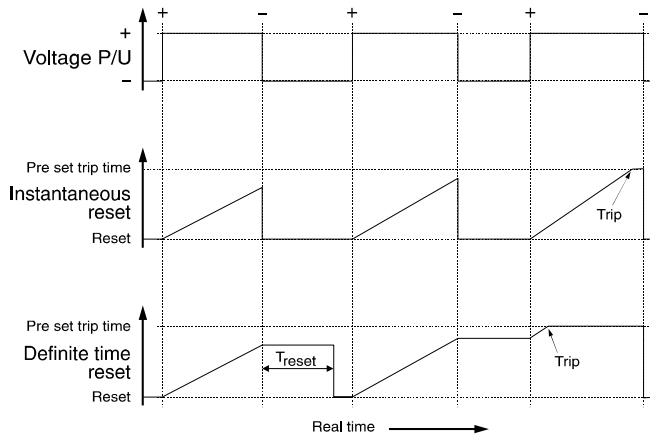


Figure 1

The reset characteristic for the undervoltage lockout function is instantaneous.

TIMING RESPONSE

The following calculation examples provide a guide to determine the actual operate times of the overvoltage, undervoltage & voltage lockout characteristics.

Overvoltage

Overvoltage Set Point 121 V
Start voltage: 110V
Over voltage step: 132 V

$$\text{Applied Over Volts} = \frac{\text{Overvoltage Step}}{\text{Overvoltage SetPoint}} = \frac{132}{121} = 109\%$$

$$\text{Start Volts} = \frac{\text{Start Voltage}}{\text{Overvoltage Set Point}} = \frac{110}{121} = 91\%$$

From Over Voltage characteristics curves – refer figure 2:

Timer setting	2V67 response time
0.2 s	0.235 s

The relay operate time for other time delay settings may be determined by the following calculation:

Timer Setting – 0.2s + 2V67 response time as per figure 2

e.g. For a 2s time delay setting: $2 - 0.2 + 0.235 = 2.035s$

Undervoltage

Undervoltage Set Point 105 V
Start voltage: 110V
Undervoltage step: 88 V

$$\text{Applied Under Volts} = \frac{\text{Undervoltage Step}}{\text{Undervoltage SetPoint}} = \frac{88}{105} = 84\%$$

$$\text{Start Volts} = \frac{\text{Start Voltage}}{\text{Undervoltage SetPoint}} = \frac{110}{105} = 105\%$$

From Under Voltage characteristics curves – refer figure 3:

Timer setting	2V67 response time
0.2 s	0.185 s

The relay operate time for other time delay settings may be determined by the following calculation:

Timer Setting – 0.2s + 2V67 response time as per figure 3

e.g. For a 2s time delay setting: $2 - 0.2 + 0.185 = 1.985s$

Undervoltage Lock Out

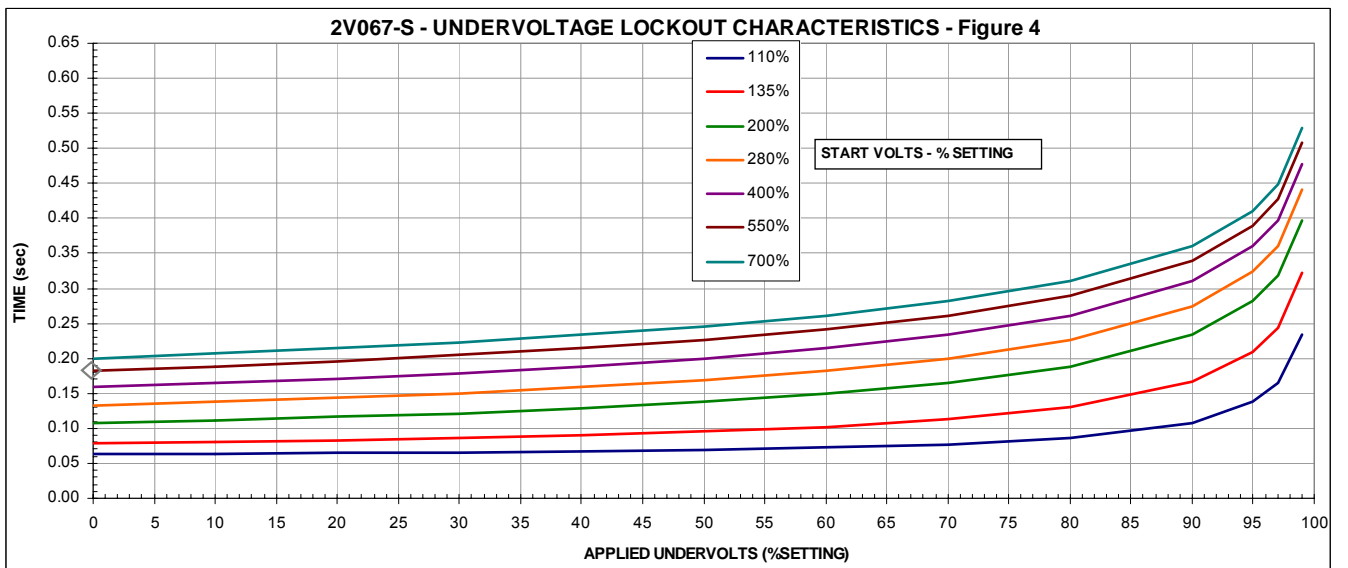
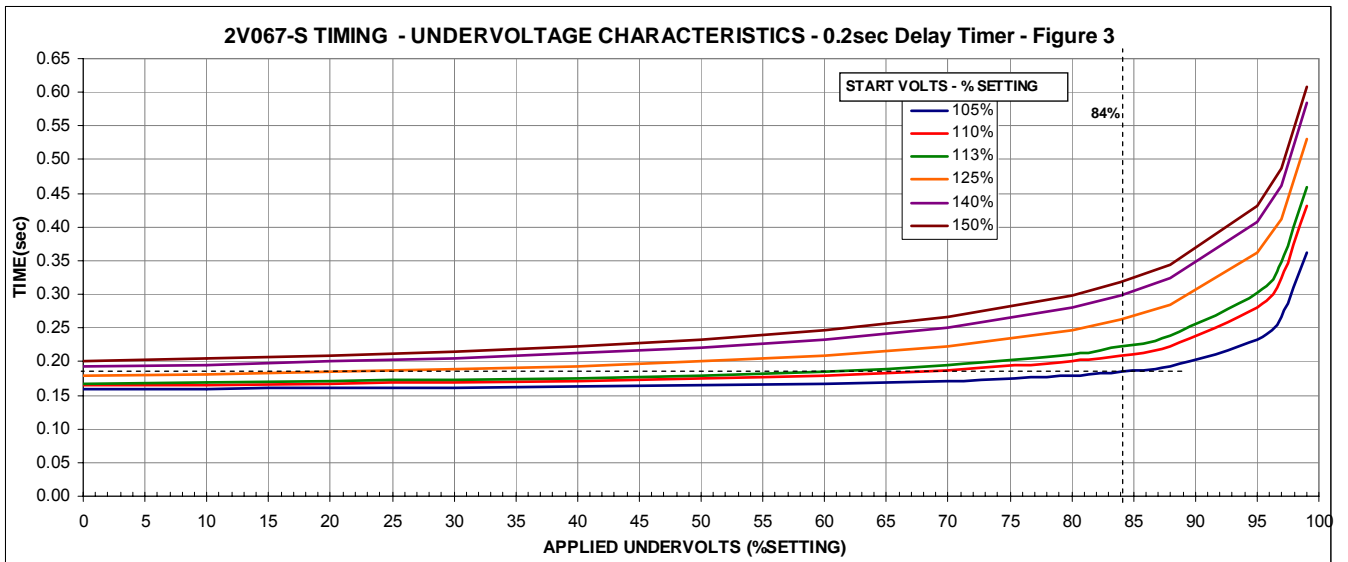
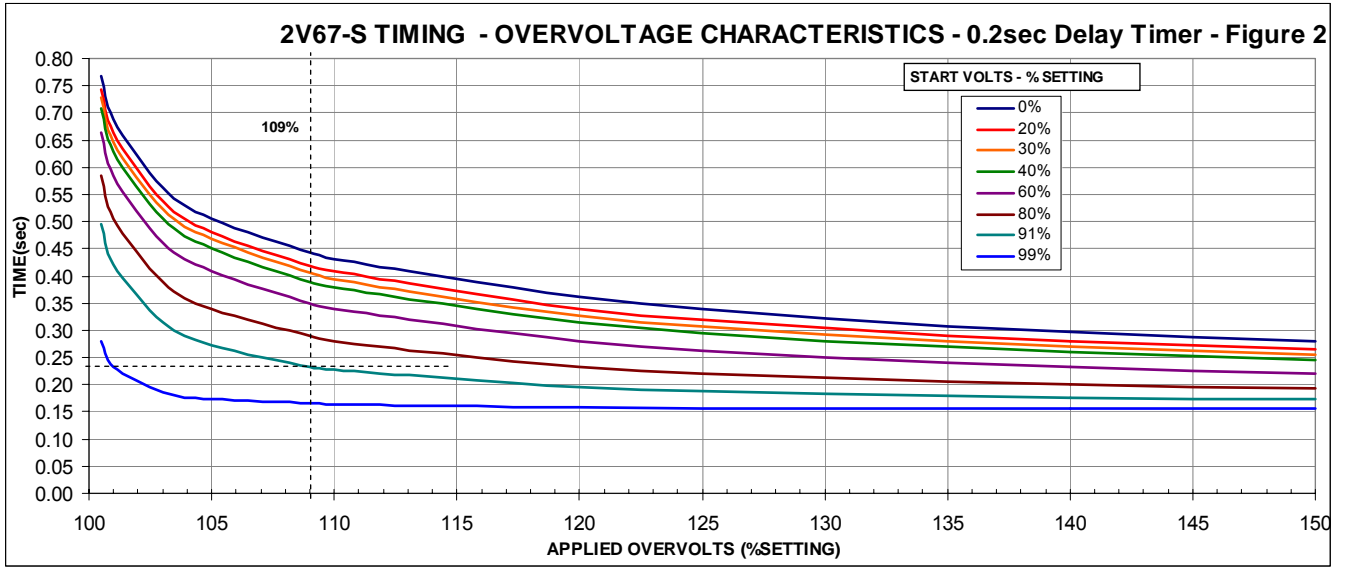
Lock Out Set Point 20 V
Start voltage: 110 V
Undervoltage step: 0 V

$$\text{Applied Under Volts} = \frac{\text{Undervoltage Step}}{\text{LockOut SetPoint}} = \frac{0}{20} = 0\%$$

$$\text{Start Volts} = \frac{\text{Start Voltage}}{\text{LockOut SetPoint}} = \frac{110}{20} = 550\%$$

From Undervoltage LockOut characteristics curves – refer figure 4:

Lockout response time = 0.18 seconds



SENSING INPUT

Nominal VT sensing input: 3 phase 63.5 & 110V AC
 Sensing supply burden: Less than 0.2VA
 Thermal rating: 300V continuous

VOLTAGE SET POINTS

Setting stages: 4 independent stages
 Setting range: 20 to 130V in 0.1V steps
 Hysteresis: 0.2 to 5V in 0.1V steps
 Overvoltage function: PU at set point
 DO at set point – hysteresis
 Undervoltage function: PU at set point
 DO at set point + hysteresis
 Undervoltage lockout: 11 to 90V in 0.1V steps

VOLTAGE MEASUREMENT ACCURACY

Precision of voltage setting: 0.1V steps
 Voltage pick up repeatability: +/-0.15V from 90 to 120V
 Voltage display: 4 digits from 10 to 145V
 Resolution of voltage display: 0.1V
 Accuracy of displayed voltage: +/-0.15V

TIME SETTING RANGE

Separate time range for each of the four voltage stage set points.
 Tset from 0.2s to 320s in 0.1s steps.

RELAY ENABLE STATUS INPUT

The status input on the 2V67 is used to enable the four voltage monitoring stages of the relay. The relay must be “enabled” in order for the time delay stages to operate. A front panel LED is illuminated red when the relay is disabled.

STATUS INPUT FUNCTION

The status input function is factory set for the relay to be enabled on the application of a control voltage. It is also possible for the status input to operate on the removal of a control voltage by simply changing a software flag in the PC setup program.

STATUS INPUT MINIMUM OPERATING CURRENT

10 mA P/U for 1 ms then reducing to 1.5 mA after 4 ms.

STATUS INPUT OPERATING TIME

Initiate input	Parameter	Delay
DC	P/U	<4 ms
	D/O	<16 ms
AC	P/U	<23 ms
	D/O	<33 ms

Table 1

AUXILIARY SUPPLY

20-70V DC switchmode supply or
 40-275V AC / 40-300V DC switchmode supply
 Burden: Less than 7 watts at during timing

Inputs:

A high efficiency switchmode power supply is incorporated which provides a low burden to the auxiliary supply.

Input Transients:

Withstands multiple high-energy transients & ring waves in accordance with IEEE28 - ANSI C26.1 Cat. II, accordingly:

- 0.5uS 100kHz 6kV O/C, 500A S/C, 4J
- 1.2/50uS 6kV O/C
- 8/20uS 3kA S/C, 80J clamped at 1,000V

Mains conducted EMI within limits specified by AS 3548 Class B.

Isolation:

The inputs are isolated from the outputs in accordance with AS3260 Class II Limited Current Circuitry, accordingly:

- Withstand voltage of 2.5kV RMS 50Hz for one minute
- Creepage & clearance distance greater than 4mm
- Output leakage current less than 0.25A to earth

Output Protection:

Outputs will withstand continuous short circuit. Output regulators & switching control regulator are thermally protected.

OUTPUT CONTACTS

4 C/O self reset: 1 for each time delayed voltage output stage
 1 C/O self reset: Undervoltage blocking alarm
 1 C/O self reset: Relay enabled indication
 1 C/C self reset: Power supply fail / CPU watchdog alarm

OUTPUT CONTACT RATINGS

IEC60255-0-2

Carry continuously 5A AC or DC
 Make & carry 0.5 s 20 A AC or DC
 L/R ≤ 40ms & V ≤ 300V 0.2 s 30 A AC or DC
 AC resistive 1,250 VA
 Break capacity AC inductive 250 VA @ PF ≤ 0.4
 I ≤ 5A & V ≤ 300V DC resistive 75 W
 DC inductive 30 W @ L/R ≤ 40 ms
 50 W @ L/R ≤ 10 ms
 10⁶ at maximum load
 Minimum number of operations
 Minimum recommended load 0.5W limit 10mA / 5 V

RELAY FAIL ALARM

A C/O alarm contact is maintained in the energized state when all of the following conditions are met:

- The auxiliary supply is applied
- The internal 24V DC rail is within acceptable limits
- The CPU hardware watchdog maintains a pulsing output

A CPU software watchdog records “suspect” events to an assert register and if necessary performs a soft restart.

CASE

4M56-S Size 4 draw out with 56 M4 screw terminals
 Mounting Flush panel or 4U high 1/4 width 19 inch rack mount

ACCESSORIES SUPPLIED

1 x M4 self threading mounting screw kit P/N 290-406-151
 2 x M4 terminal screw kit (28 per kit) P/N 290-407-153
 1 x uMATRIX User Guide per order
 1 x CD - uMATRIXwin software, setting files & applications per order

TRANSIENT OVERVOLTAGE

IEC60255-5 CLASS III

Between all terminals & earth 5 kV 1.2/50 us 0.5 J
 Between independent circuits without damage or flashover 5 kV 1.2/50 us 0.5 J

INSULATION COORDINATION

IEC60255-5 CLASS III

Between all terminals & earth 2.0 kV rms for 1 min.
 Between independent circuits 2.0 kV rms for 1 min.
 Across normally open contacts 1.0 kV rms for 1 min.

AUXILIARY SUPPLY

IEC60255-11

Allowable breaks / dips in supply ≤ 20 ms
 Collapse to zero from nominal voltage

HIGH FREQUENCY DISTURBANCE

IEC60255-22-1 CLASS III

2.5 kV 1MHz common mode ≤ 3% variation
 1.0 kV 1MHz differential mode

ELECTROSTATIC DISCHARGE

IEC60255-22-2 CLASS III

6 kV contact discharge ≤ 5% variation

FAST TRANSIENT

IEC60255-22-4

4 kV, 5/50 ns, 100 KHz repetitive ≤ 3% variation

TEMPERATURE RANGE

Operating: -5 to +55°C
 Storage: -25 to +75°C

HUMIDITY

IEC68-2-1/2

40°C & 95% RH non condensing

RELAY CONFIGURATION USING μ MATRIXwin

The purpose of the μ MATRIXwin application is to provide display, configuration and diagnostic facilities required to support the entire family of μ MATRIX digital relays. The prime functions of the application are:

Create a setting file off line

To create & view relay setting files at your PC without the need for a relay;

Relay setting

To download a setting file (UMP) into a relay connected to a PC;

To display & change settings in a connected relay;

Relay status

To display the Status of nominated inputs and outputs of a connected relay;

Commissioning

To export reports of setting parameters & status screen to confirm correct functionality during commissioning;

Upgrade relay software

To configure a μ MATRIX relay for a specific customer application;

To upgrade the operational software (UMX) of a μ MATRIX relay;

All current UMX software applications may be downloaded from:

www.rmspl.com.au/umatrix

Maintenance

To provide utility and diagnostic facilities at a technical level.

COMMUNICATION PORTS

Two (2) communications ports are available. The front USB programming port is provided as standard while the rear RS485 network port is available as an option.

Programming port

The programming port is accessible from the front panel of the relay via a USB physical link & PC configuration program supplied with the relay. The μ MATRIXwin configuration program is designed to operate with all relays from the μ MATRIX range & with all installed firmware version.

Network port

The network port is intended for applications where permanent connection to a master control system is required. An optically isolated RS485 physical layer is provided for this function.

The RS485 connection is intended for applications where multiple μ MATRIX relays are to be connected on a common communications bus.

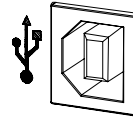
Network Port Terminating Resistor

Where multiple relays are connected in a multi-drop configuration the RS485 comms. bus must have a 120 ohm terminating resistor fitted at each end. If the μ MATRIX-S relay is at one end of the transmission line a terminating resistor can be added by placing SW100-3 and SW100-4 in the ON position as depicted in the wiring diagram.

Network Port BIAS Resistors

Where a single relay is connected to the network, or where the relay is a long distance from other devices on the comms. bus, BIAS resistors may need to be fitted to ensure reliable operation. To simplify this configuration, BIAS resistors are fitted to each μ MATRIX-S relay and may be selected IN by setting switches SW100-1 and SW100-2 to the ON position as depicted in the wiring diagram. This bank of four switches can be accessed by withdrawing the relay module from its case, turning upside down and looking at the centre PCB near the rear terminal blocks.

PC TO μ MATRIX USB CONNECTION

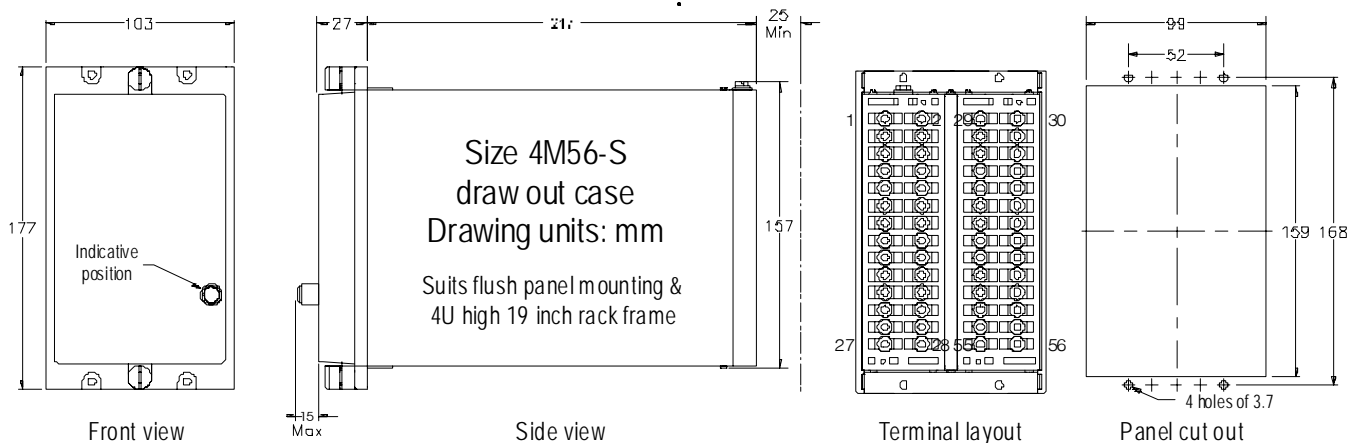


2V164-S front panel USB programming port

USB DRIVERS

The μ MATRIX-S USB port is configured as a Virtual Communications Port (VCP) & is operated through a PC COM port. USB drivers must be installed on the PC to enable correct communication. A ZIP file containing the driver files needed for this process may be downloaded from:

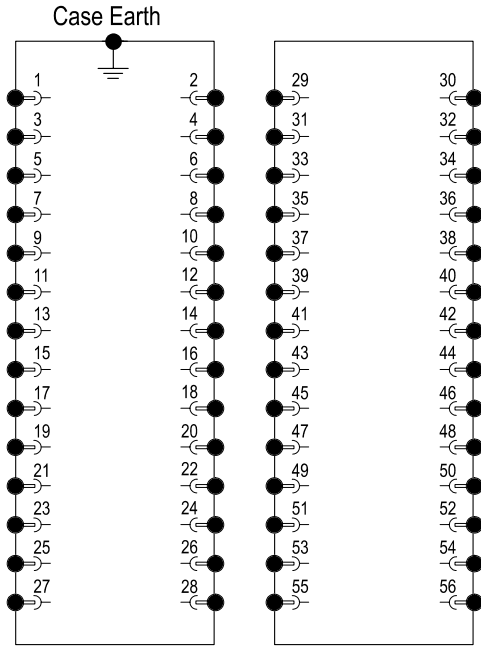
www.rmspl.com.au/umatrix



Ordering Information

Generate the required ordering code as follows: e.g. 2V67-S-BDDAA

General Type	Order Code				
	1	2	3	4	5
2V67-S	-				

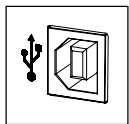


4M56 Case terminations (REAR VIEW)

- 1 AUXILIARY SUPPLY RANGE**
A 20-70V DC B 40-275V AC (300V DC)
- 2 RELAY INITIATE INPUT**
A 24-80V AC/DC B 80-150V AC/DC
C 150-275V AC (300V DC) D 18-275V AC (300V DC)
- 3 REMOTE FLAG RESET INPUT**
A 24-80V AC/DC B 80-150V AC/DC
C 150-275V AC (300V DC) D 18-275V AC (300V DC)
- 4 VOLTAGE INPUTS**
A 3 Pole Version B 1 Pole Version
- 5 REAR COMMUNICATIONS PORT**
A Not required
B Required – Modbus protocol
- ! REQUEST DEFAULT APPLICATION SOFTWARE**
A UMX2V067A 3 phase 4 stage under / over voltage
H UMX2V067H 1 phase 4 stage under / over voltage

*Note: The status inputs & some relay outputs are assigned by the software (UMX) loaded on the relay.

Shown here are the standard assignments of the A UMX. Other UMX versions may differ. Consult the UMX data sheets for specific I/O assignments.



FRONT PANEL
USB PROGRAMMING
PORT

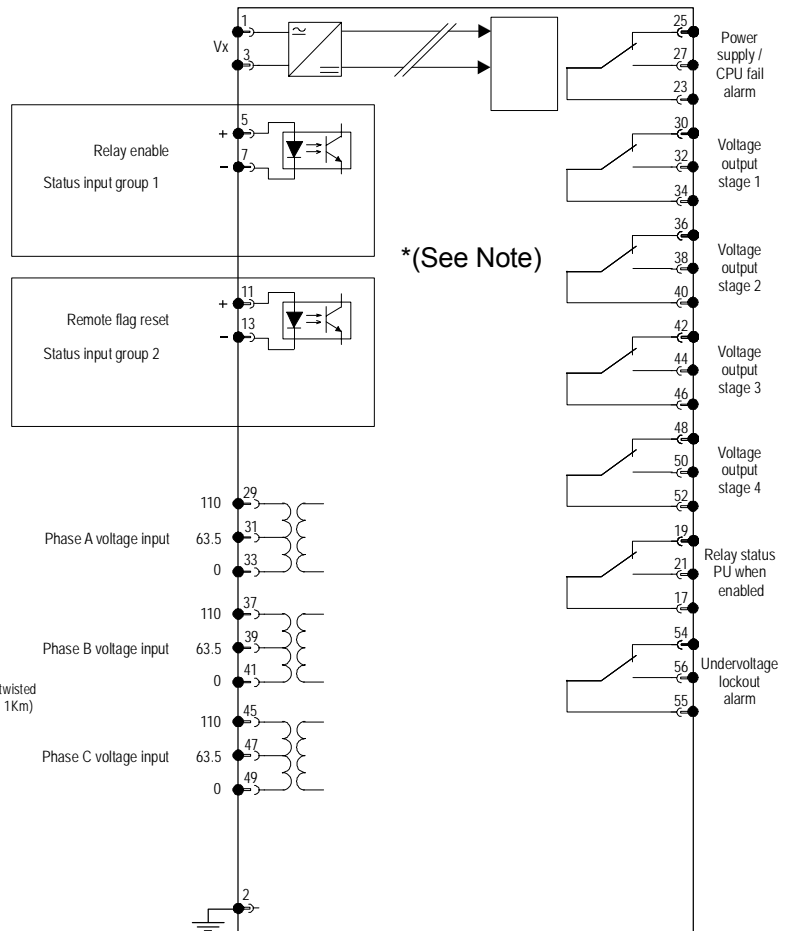
SCADA COMMUNICATIONS PORT RS485 Network port



To other μ MATRIX relays (Up to 32 units)
Invoke terminating 120R resistor to end of BUS relay only.
To do this set SW100-3&4 ON.

Invoke BIAS resistors for single relay connection only.
To do this set SW100-1&2 ON.

2V67wiring diagram - Relay shown in de-energised condition



*(See Note)

Australian Content

Unless otherwise stated the product(s) quoted are manufactured by RMS at our production facility in Melbourne Australia. Approximately 60% of our sales volume is derived from equipment manufactured in house with a local content close to 80%. Imported components such as semi-conductors are sourced from local suppliers & preference is given for reasonable stock holding to support our build requirements.

Quality Assurance

RMS holds NCSI (NATA Certification Services International), registration number 6869 for the certification of a quality assurance system to AS/NZS ISO9001-2008. Quality plans for all products involve 100% inspection and testing carried out before despatch. Further details on specific test plans, quality policy & procedures may be found in section A4 of the RMS product catalogue.

Product Packaging

Protection relays are supplied in secure individual packing cardboard boxes with moulded styrene inserts suitable for recycling. Each product & packing box is labeled with the product part number, customer name & order details.

Design References

The products & components produced by RMS are based on many years of field experience since Relays Pty Ltd was formed in 1955. A large population of equipment is in service throughout Australia, New Zealand, South Africa & South East Asia attesting to this fact. Specific product & customer reference sites may be provided on application.

Product Warranty

All utility grade protection & auxiliary relay products, unless otherwise stated, are warranted for a period of 24 months from shipment for materials & labour on a return to factory basis. Repair of products damaged through poor application or circumstances outside the product ratings will be carried out at the customer's expense.

Standard Conditions of Sale

Unless otherwise agreed RMS Standard Terms & Conditions (QF 907) shall apply to all sales. These are available on request or from our web site.



Relay Monitoring Systems Pty Ltd

6 Anzed Court, Mulgrave, Victoria 3170, AUSTRALIA

Tel: +61 3 8544 1200 Fax: +61 3 8544 1201 Email: rms@rmspl.com.au Web: www.rmspl.com.au